

- ◆ H8C load cells are available for manifold accurate measurement in the capacities 1Klb to 20Klb and 0.5t to 10t.
- ◆ Alloy steel, potted by adhesive inside, steel ball support, oil-proof, waterproof and anti-corrosion, suitable for multiform environment.
- ◆ Single shear beam and easy for installation, it is suitable for electronic platform scales, hopper scales and other electronic weighing devices.
- ◆ It is safety and anti-explosion product that can be used in atrocious weather and hazardous areas.

Important Features

- ◆ Capacities: 1Klb to 20Klb and 0.5t to 10t.
- ◆ High accuracy.
- ◆ Alloy steel construction.
- ◆ Low profile and nice exterior.
- ◆ With OIML approval: (PTB: D09-03.19)
- ◆ With NTEP approval: (No: CC01-012)



Accessories

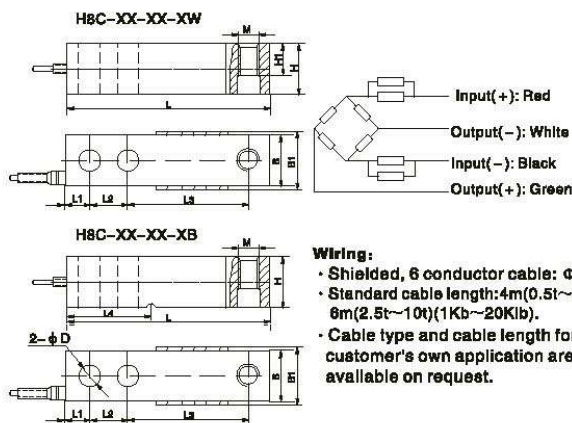
- ◆ HJ-8-201 ◆ HJ-8-203 ◆ HJ-8-204
- ◆ HJ-8-208 ◆ HJ-8-213 ◆ HJ-8-214
- ◆ HJ-8-215 ◆ HJ-8-216 ◆ HY-8-102
- ◆ HY-8-103 ◆ HY-8-105 ◆ HD-8-301
- ◆ HM-8-402

Specifications

Capacity	t Klb	0.5/1/1.5/2/2.5/3/5/10 1/1.5/2/2.5/3/4/5/7.5/10/15/20				
		C2	C3	C4	A5M	B10M
Accuracy class			OIML R60 C3		III 5000 multiford	III L 10000 multiford
Approval						
Maximum number of verification intervals	n max	2000	3000	4000	5000	10000
Minimum load cell verification interval	v min	E _{max} /5000	E _{max} /10000	E _{max} /14000	E _{max} /15000	E _{max} /10000
Combined error	(%FS)	≤ ± 0.030	≤ ± 0.020	≤ ± 0.018	≤ ± 0.026	≤ ± 0.050
Creep	(%FS/30min)	≤ ± 0.024	≤ ± 0.016	≤ ± 0.012	≤ ± 0.017	≤ ± 0.040
Temperature effect on sensitivity	(%FS/10°C)	≤ ± 0.017	≤ ± 0.011	≤ ± 0.009	≤ ± 0.013	≤ ± 0.040
Temperature effect on zero	(%FS/10°C)	≤ ± 0.023	≤ ± 0.015	≤ ± 0.010	≤ ± 0.014	≤ ± 0.020
Output sensitivity	(mV/V)	2.0 ± 0.002		3.0 ± 0.003		
Input resistance	(Ω)	350 ± 3.5				
Output resistance	(Ω)	351 ± 2				
Insulation resistance	(MΩ)	≥ 5000(100VDC)				
Zero balance	(%FS)	1.5		1.0		
Temperature, compensated	(°C)	-10 ~ +40				
Temperature, allowed	(°C)	-35 ~ +65				
Excitation, Recommended	(V)	5 ~ 12(DC)				
Excitation, Max	(V)	18(DC)				
Safe overload	(%FS)	120				
Ultimate overload	(%FS)	150				

Note: This product has the strain groove, is not Australia market. Please choose H8C-XX-XX-XW for Australia users.

Outline Dimension mm(inch)



- Wiring:**
- Shielded, 6 conductor cable: $\Phi 5$ mm.
 - Standard cable length: 4m(0.5t~2t), 6m(2.5t~10t)(1Kb~20Klb).
 - Cable type and cable length for customer's own application are available on request.

Dimension	L	L1	L2	L3	L4	H	H1	B	B1	D	M
0.5t~2t 1~4K,5KSE	130 (5.12)	15.8 (0.62)	25.4 (1.0)	76.2 (3.0)	54.2 (2.13)	31.8 (1.25)	15.8 (0.62)	31.8 (1.25)	34 (1.34)	13.5 (0.53)	M12×1.75 1/2-20UNF
2.5~5t 5~10K	171.5 (6.75)	19.1 (0.75)	38.1 (1.5)	95.3 (3.75)	77.2 (3.04)	38.1 (1.5)	18.8 (0.74)	38.1 (1.5)	40 (1.57)	19.8 (0.78)	M18×1.5 3/4-16UNF
10t,20K	222.3 (8.75)	25.4 (1.0)	50.8 (2.0)	120.7 (4.75)	101.6 (4)	50.8 (2.0)	25.4 (1.0)	50.8 (2.0)	52.4 (2.06)	26(1.02) 26.92 (1.06)	M24×2 1-12UNF