



Aluminum, colorless anodized.
Suitable for pricing scales, bench scales, etc.
Recommended platform size: 400x400mm

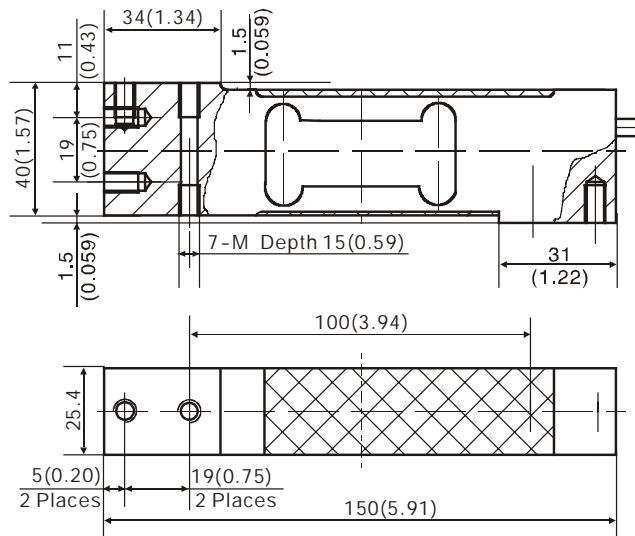
Capacity	Accuracy	Part number	Scale
3kg	C3	L6N-C3-3kg-3B6	Metric
5kg	C3	L6N-C3-5kg-3B6	Metric
8kg	C3	L6N-C3-8kg-3B6	Metric
10kg	C3	L6N-C3-10kg-3B6	Metric
15kg	C3	L6N-C3-15kg-3B6	Metric
20kg	C3	L6N-C3-20kg-3B6	Metric
30kg	C3	L6N-C3-30kg-3B6	Metric
50kg	C3	L6N-C3-50kg-3B6	Metric
75kg	C3	L6N-C3-75kg-3B6	Metric
100kg	C3	L6N-C3-100kg-3B6	Metric
3kg	C3	L6N-C3-3kg-3YB6	Imperial
5kg	C3	L6N-C3-5kg-3YB6	Imperial
8kg	C3	L6N-C3-8kg-3YB6	Imperial
10kg	C3	L6N-C3-10kg-3YB6	Imperial
15kg	C3	L6N-C3-15kg-3YB6	Imperial
20kg	C3	L6N-C3-20kg-3YB6	Imperial
30kg	C3	L6N-C3-30kg-3YB6	Imperial
50kg	C3	L6N-C3-50kg-3YB6	Imperial
75kg	C3	L6N-C3-75kg-3YB6	Imperial
100kg	C3	L6N-C3-100kg-3YB6	Imperial
10lb	C3	L6N-C3-10-3B6	Metric
15lb	C3	L6N-C3-15-3B6	Metric
20lb	C3	L6N-C3-20-3B6	Metric
30lb	C3	L6N-C3-30-3B6	Metric
50lb	C3	L6N-C3-50-3B6	Metric
100lb	C3	L6N-C3-100-3B6	Metric
200lb	C3	L6N-C3-200-3B6	Metric
10lb	C3	L6N-C3-10-3YB6	Imperial
15lb	C3	L6N-C3-15-3YB6	Imperial
20lb	C3	L6N-C3-20-3YB6	Imperial
30lb	C3	L6N-C3-30-3YB6	Imperial
50lb	C3	L6N-C3-50-3YB6	Imperial
100lb	C3	L6N-C3-100-3YB6	Imperial
200lb	C3	L6N-C3-200-3YB6	Imperial

Specifications

Accuracy Class	OIML R60 C3	Temperature effect on span (%FS/10)	0.014
Rated output (mV/V)	2.0±0.2	Temperature effect on zero (%FS/10)	0.017
Combined error (%FS)	0.02	Temperature, compensated ()	-10~+40
Non-linearity (%FS)	0.017	Temperature, Operating ()	-35~+65
Non-repeatability (%FS)	0.01	Excitation, Recommended (V)	5~12(DC)
Creep (%FS/30min)	0.02	Excitation, Max. (V)	18(DC)
Input Resistance ()	409±6	Safe Overload (%FS)	150
Output Resistance ()	350±3	Ultimate Overload (%FS)	300
Insulation Resistance (M)	5000(50VDC)	Protection Class	IP 65
Zero Balance (%FS)	2.0	Cable Length (m)	3
Off center load error (% , per OIML R76)	0.02	Cable spec	6-wire shielded cable 5.0mm

Connections Red Input(+) Black Input(-) Green Output(+) White Output(-)
Blue Sense(+) Brown Sense(-) Transparence (shield)

Outline Dimensions in mm(inches)



	Metric	Imperial
M	M6	1/4-20UNC