

Capacity Accuracy Part number

20kg	C3	HM11-C3-20kg-3B-SC
30kg	C3	HM11-C3-30kg-3B-SC
50kg	C3	HM11-C3-50kg-3B-SC
100kg	C3	HM11-C3-100kg-3B-SC
200kg	C3	HM11-C3-200kg-3B-SC
350kg	C3	HM11-C3-350kg-3B-SC
500kg	C3	HM11-C3-500kg-3B-SC



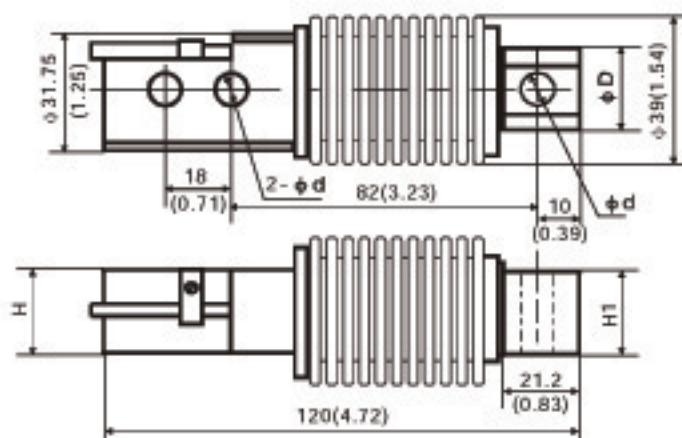
Alloy steel, welding-sealed.  
Suitable for electronic weighing equipments like belt scales, hopper scales, etc.

### Specifications

Accuracy Class	OIML R60 C3	NTEP III, III-L	Temperature effect on zero (%FS/10°C)	0.017
Rated output (mV/V)	<b>2.0 ± 0.02</b>		Temperature, Compensated (°C)	-10 ~ +40
Combined error (%FS)	<b>0.02</b>		Temperature, Operating (°C)	-35 ~ +65
Non-linearity (%FS)	<b>0.017</b>		Excitation, Recommended (V)	5 - 12(DC)
Non-repeatability (%FS)	<b>0.01</b>		Excitation, Max. (V)	18(DC)
Creep (%FS/30min)	<b>0.02</b>		Safe Overload (%FS)	150
Input Resistance (Ω)	<b>460 ± 50</b>		Ultimate Overload (%FS)	300
Output Resistance (Ω)	<b>350 ± 3.5</b>		Protection Class	IP68
Insulation Resistance (MΩ)	<b>≥ 5000(50VDC)</b>		Cable Length (m)	3
Zero Balance (%FS)	<b>1.0</b>		Cable spec	<b>4-wire shielded PU cable φ5mm</b>
Temperature effect on span (%FS/10°C)	<b>0.014</b>			

Connections Green Input (+) Black Input (-) White Output(+) Red Output(-) Transparence (shield)

### Outline Dimensions in mm(inches)



Capacity (kg)	d	D	H1	H
20~200	8.2 (0.32)	23 (0.91)	20 (0.79)	20 (0.79)
350,500	10.3 (0.41)	24 (0.94)	19 (0.75)	20 (0.79)