



Alloy steel, nickel-plated, hermetically sealed.
Suitable for all kinds of electronic weighing and measuring equipments like truck scales, hopper scales, etc.
Weighing Assembly Available See model HM-2-401 on page 78.

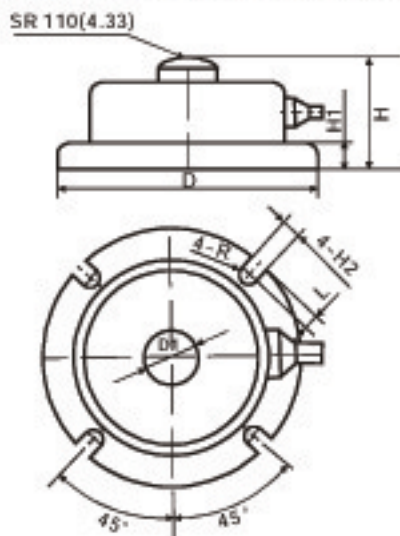
Capacity	Accuracy	Part number
1.0t	C1	H2F-C1-1.0t-3T6
2.0t	C1	H2F-C1-2.0t-3T6
3.0t	C1	H2F-C1-3.0t-3T6
5.0t	C1	H2F-C1-5.0t-4T6
10t	C1	H2F-C1-10t-4T6
15t	C1	H2F-C1-15t-5T6
20t	C1	H2F-C1-20t-5T6
30t	C1	H2F-C1-30t-5T6
50t	C1	H2F-C1-50t-5T6
1.0t	C2	H2F-C2-1.0t-3T6
2.0t	C2	H2F-C2-2.0t-3T6
3.0t	C2	H2F-C2-3.0t-3T6
5.0t	C2	H2F-C2-5.0t-4T6
10t	C2	H2F-C2-10t-4T6
15t	C2	H2F-C2-15t-5T6
20t	C2	H2F-C2-20t-5T6
30t	C2	H2F-C2-30t-5T6
50t	C2	H2F-C2-50t-5T6

Specifications

Accuracy Class	C1	C2	Temperature effect on zero (%FS/10°C)	0.02
Rated output (mV/V)	2.0±0.01		Temperature, Compensated (°C)	-10~+40
Combined error (%FS)	0.05	0.03	Temperature, Operating (°C)	-35~+65
Non-linearity (%FS)	0.05	0.03	Excitation, Recommended (V)	5-12(DC)
Non-repeatability (%FS)	0.01		Excitation, Max. (V)	18(DC)
Creep (%FS/30min)	0.02		Safe Overload (%FS)	150
Input Resistance (Ω)	770±30		Ultimate Overload (%FS)	300
Output Resistance (Ω)	700±3		Protection Class	IP 67
Insulation Resistance (MΩ)	≥5000(50VDC)		Cable Length (m)	3(1-3t),4(5-10t),5(15-50t)
Zero Balance (%FS)	1.0		Cable spec	6-wire shielded cable φ6mm
Temperature effect on span (%FS/10°C)	0.02			

Connections Red Input (+) Yellow Input (-) Blue Output (+) White Output (-)
Brown Sense (+) Black Sense (-) Transparence (shield)

Outline Dimensions in mm(Inches)



Capacity (kg)	D	D1	H	H1	H2	L
1	115 (4.53)	22 (0.87)	43 (1.69)	12 (0.47)	8.4 (0.33)	8 (0.31)
2	120 (4.72)	26 (1.02)	45 (1.77)	12 (0.47)	8.4 (0.33)	8 (0.31)
3, 5	128 (5.04)	20 (0.79)	46 (1.81)	8 (0.31)	10.4 (0.41)	7 (0.28)
10	160 (6.30)	40 (1.57)	63 (2.48)	15 (0.59)	10.4 (0.41)	10 (0.39)
15	194 (7.64)	42 (1.65)	68 (2.68)	20 (0.79)	12.4 (0.49)	12 (0.47)
20	220 (8.66)	44 (1.73)	73 (2.87)	22 (0.87)	12.4 (0.49)	12 (0.47)
30	230 (9.05)	48 (1.89)	78 (3.07)	25 (0.98)	12.4 (0.49)	12 (0.47)
50	264 (10.39)	52 (2.05)	90 (3.54)	30 (1.18)	12.4 (0.49)	12 (0.47)