

Capacity	Accuracy	Part number
5.0t	C2	H2D-C2-5.0t-5B
10t	C2	H2D-C2-10t-5B
20t	C2	H2D-C2-20t-10B



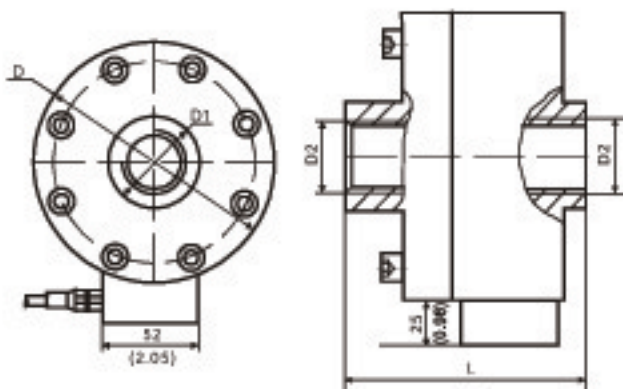
Alloy steel, nickel-plated, compression or tension applications. Suitable for all kinds of weighing and measuring equipments like crane scales, hopper scales, etc.

Specifications

Accuracy Class	C2	Temperature effect on zero (%FS/10°C)	0.02
Rated output (mV/V)	2.0±0.008	Temperature, Compensated (°C)	-10~+40
Combined error (%FS)	0.03	Temperature, Operating (°C)	-35~+65
Non-linearity (%FS)	0.03	Excitation, Recommended (V)	5-12(DC)
Non-repeatability (%FS)	0.01	Excitation, Max. (V)	18(DC)
Creep (%FS/30min)	0.02	Safe Overload (%FS)	150
Input Resistance (Ω)	750±10	Ultimate Overload (%FS)	300
Output Resistance (Ω)	700±7	Protection Class	IP 67
Insulation Resistance (MΩ)	≥5000(50VDC)	Cable Length (m)	5(5,10t),10(20t)
Zero Balance (%FS)	1.0	Cable spec	4-wire shielded cable φ5mm
Temperature effect on span (%FS/10°C)	0.02		

Connections Red Input (+) Black Input (-) Green Output(+) White Output(-)

Outline Dimensions in mm(inches)



Dimensions Capacity (t)	L	D	D1	D2
5	83 (3.27)	128 (5.04)	45 (1.77)	M24×2
10	150 (5.91)	160 (6.30)	60 (2.36)	M39×2
20	220 (8.66)	200 (7.87)	80 (3.15)	M60×2